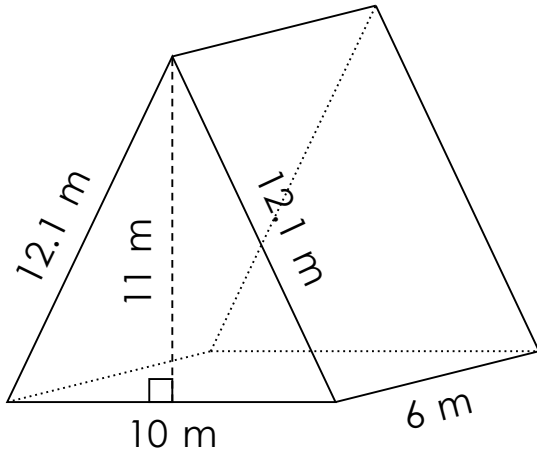


# Volume & surface area of 3D shapes

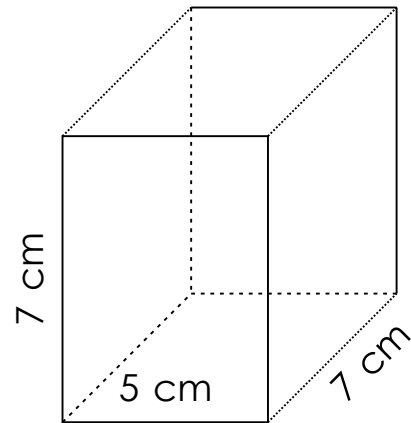
## Grade 6 Geometry Worksheet

Find the volume and surface area.

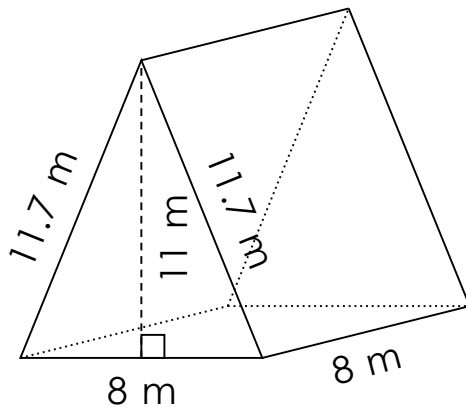
1)



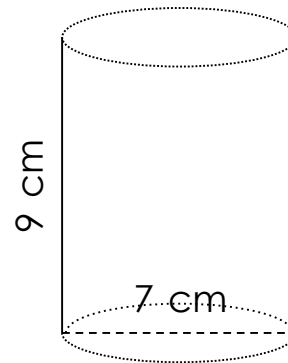
2)



3)



4)

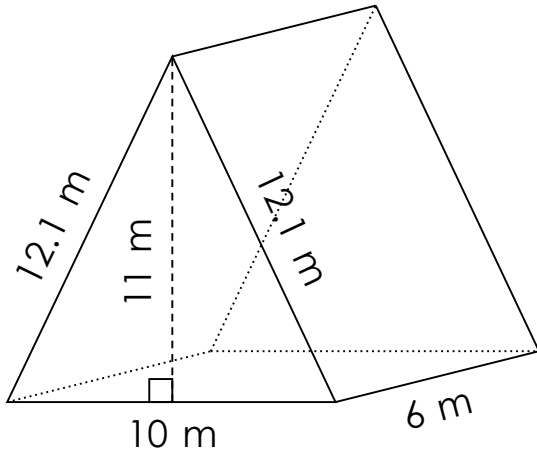


# Volume & surface area of 3D shapes

## Grade 6 Geometry Worksheet

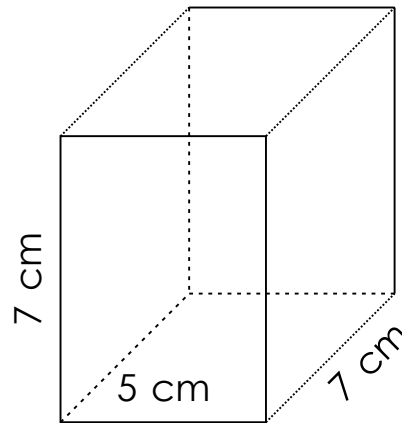
Find the volume and surface area.

1)



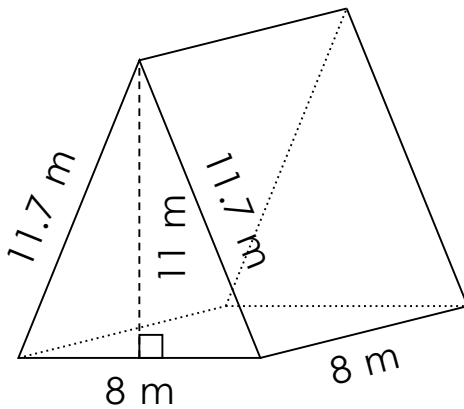
$$V = 330 \text{ m}^3 \quad SA = 315.2 \text{ m}^2$$

2)



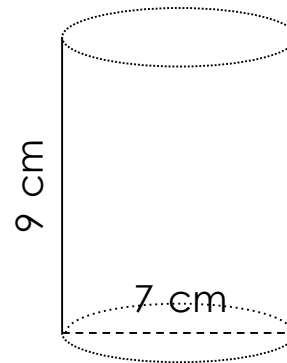
$$V = 245 \text{ cm}^3 \quad SA = 238 \text{ cm}^2$$

3)



$$V = 352 \text{ m}^3 \quad SA = 339.2 \text{ m}^2$$

4)



$$V = 346.36 \text{ cm}^3 \quad SA = 275 \text{ cm}^2$$