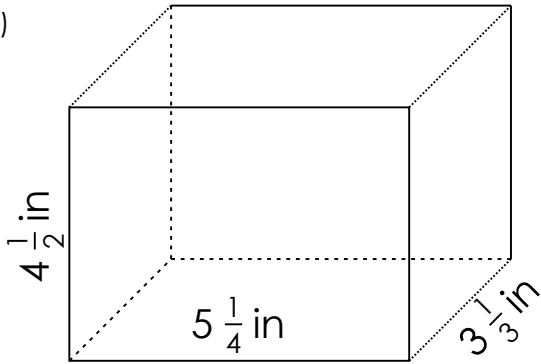


Rectangular prism - volume & surface area

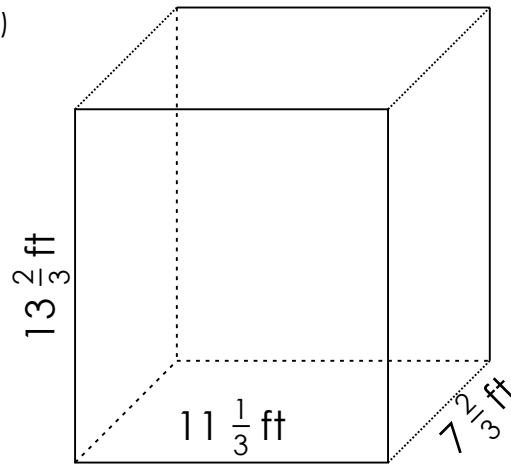
Grade 6 Geometry Worksheet

Find the volume and surface area.

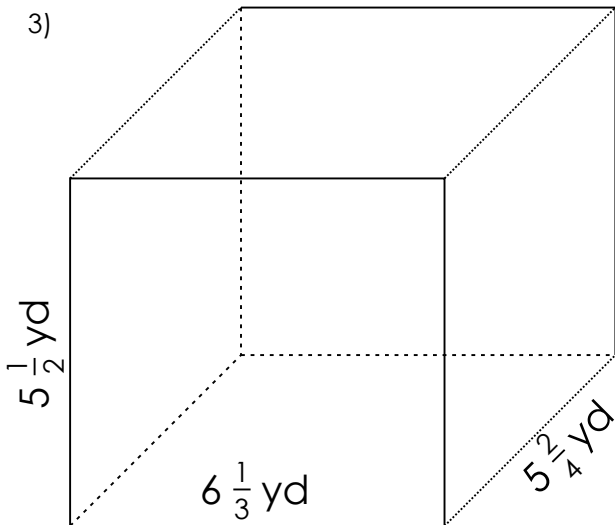
1)



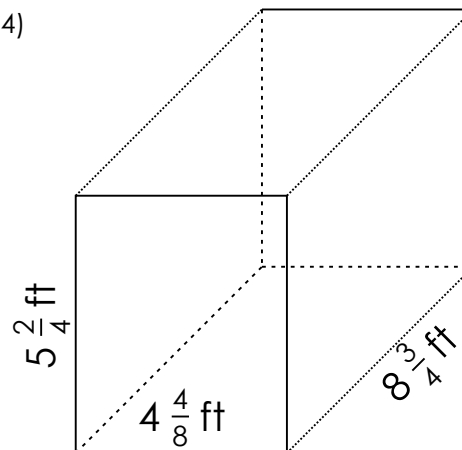
2)



3)



4)

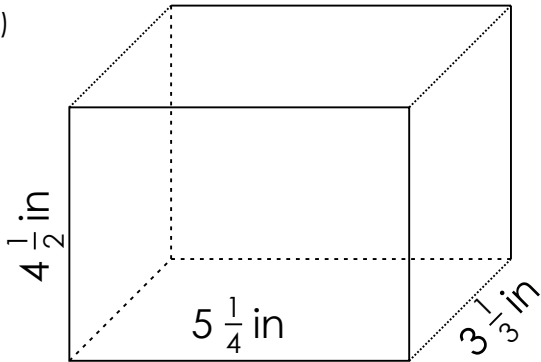


Rectangular prism - volume & surface area

Grade 6 Geometry Worksheet

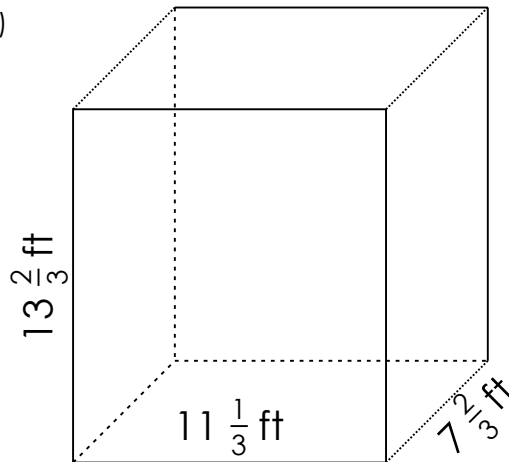
Find the volume and surface area.

1)



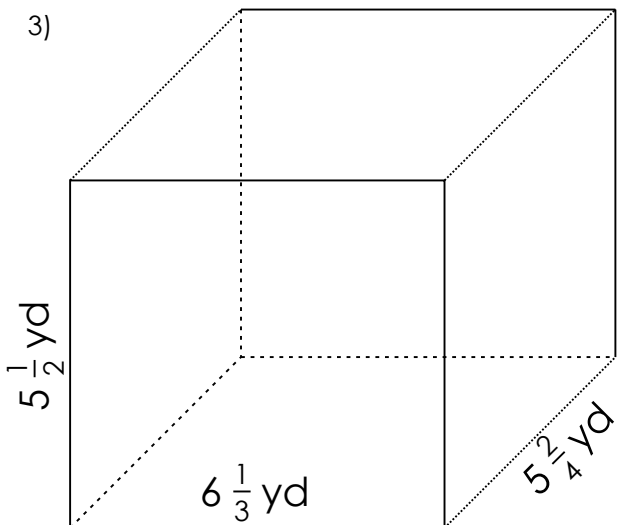
$$V = 78 \frac{3}{4} \text{ in}^3 \quad SA = 112 \frac{1}{4} \text{ in}^2$$

2)



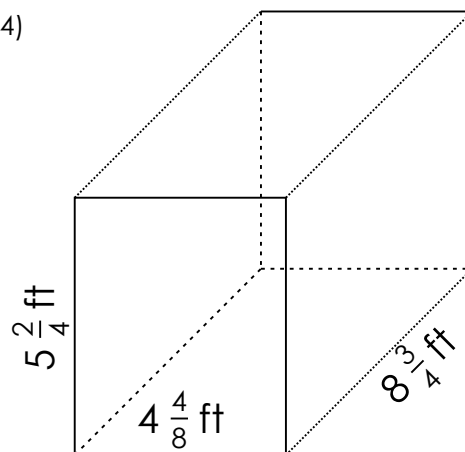
$$V = 1,187 \frac{13}{27} \text{ ft}^3 \quad SA = 693 \frac{1}{9} \text{ ft}^2$$

3)



$$V = 191 \frac{7}{12} \text{ yd}^3 \quad SA = 199 \frac{5}{6} \text{ yd}^2$$

4)



$$V = 216 \frac{9}{16} \text{ ft}^3 \quad SA = 224 \frac{1}{2} \text{ ft}^2$$