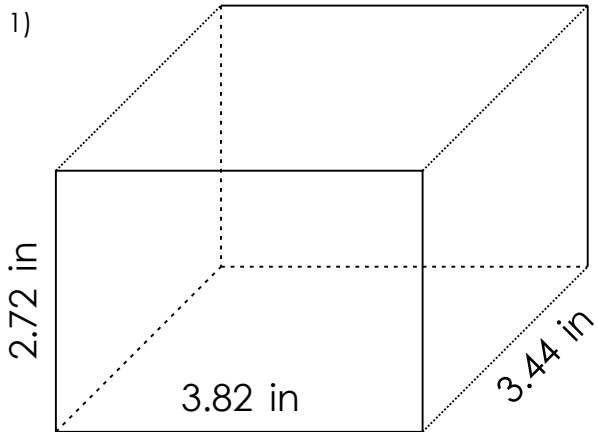


# Rectangular prism - volume & surface area

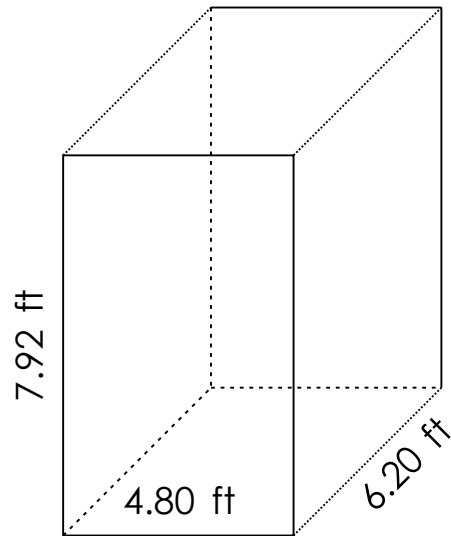
## Grade 6 Geometry Worksheet

Find the volume and surface area.

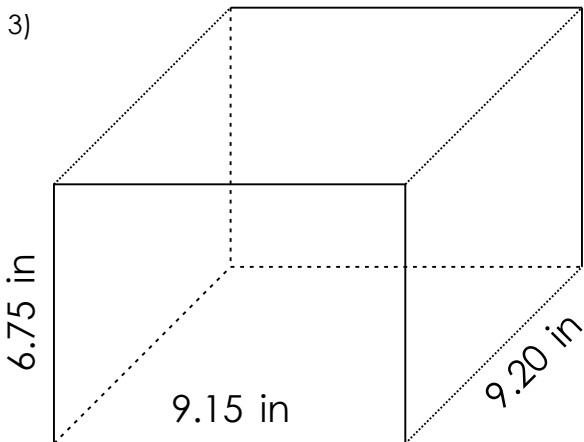
1)



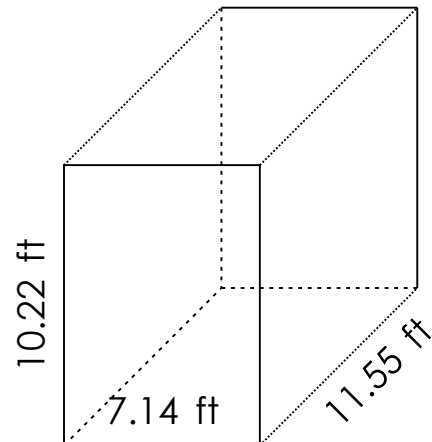
2)



3)



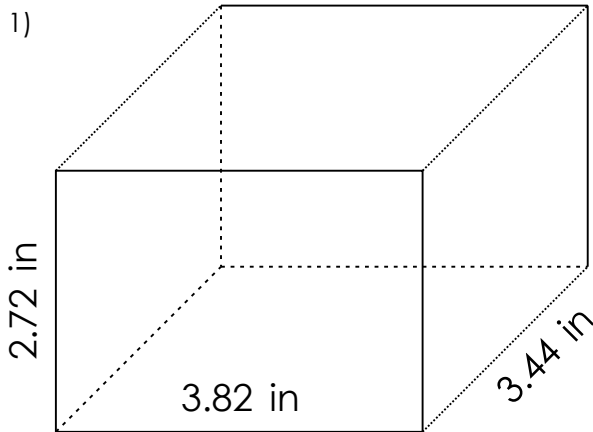
4)



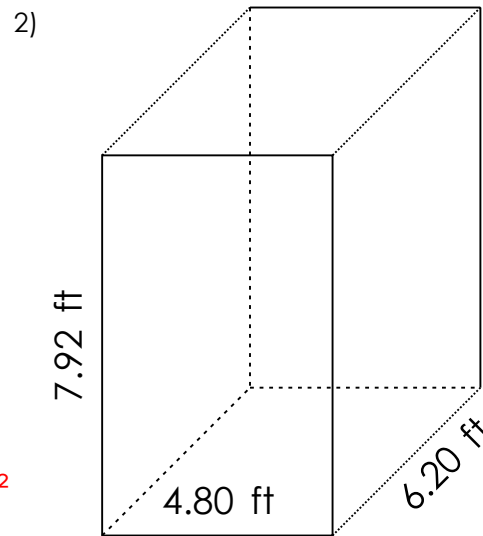
# Rectangular prism - volume & surface area

Grade 6 Geometry Worksheet

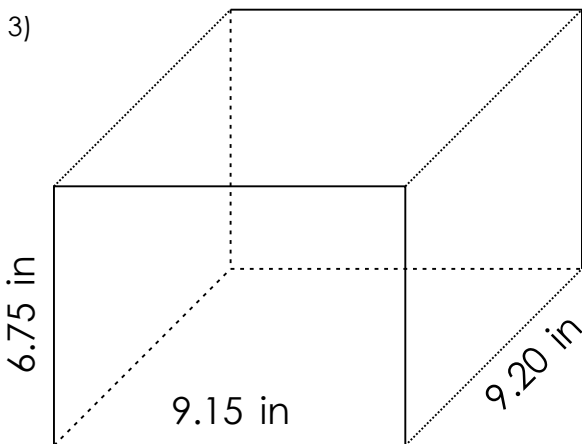
Find the volume and surface area.



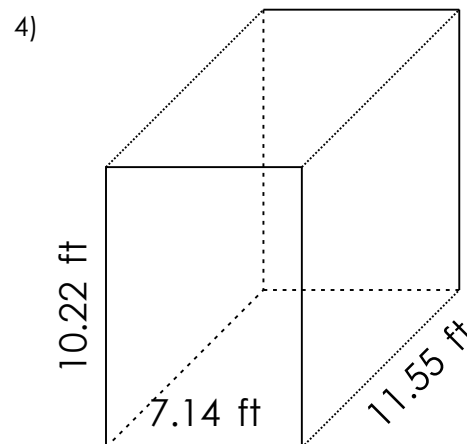
$V = 35.742976 \text{ in}^3$   $SA = 65.7760 \text{ in}^2$



$V = 235.699200 \text{ ft}^3$   $SA = 233.7600 \text{ ft}^2$



$V = 568.215000 \text{ in}^3$   $SA = 416.0850 \text{ in}^2$



$V = 842.812740 \text{ ft}^3$   $SA = 546.9576 \text{ ft}^2$