

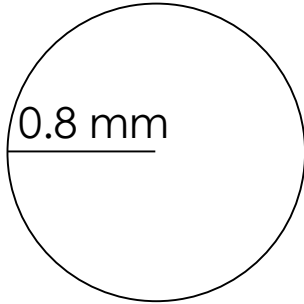
# Area of a circle

## Grade 6 Geometry Worksheet

---

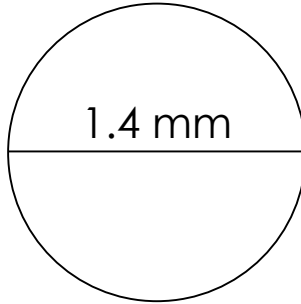
Calculate the area of each circle.

1)



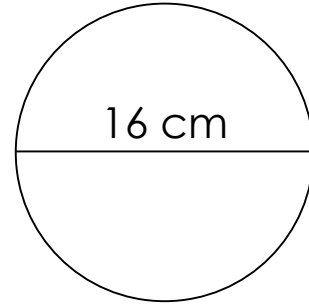
\_\_\_\_\_

2)



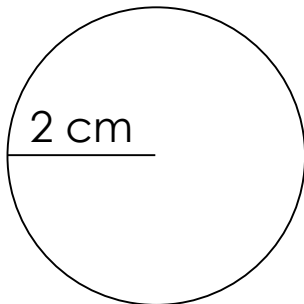
\_\_\_\_\_

3)



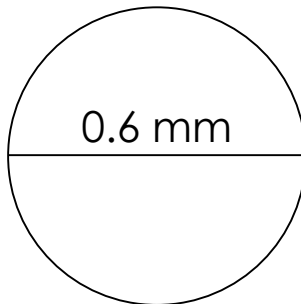
\_\_\_\_\_

4)



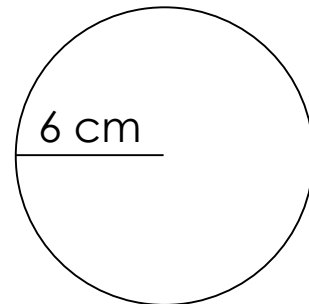
\_\_\_\_\_

5)



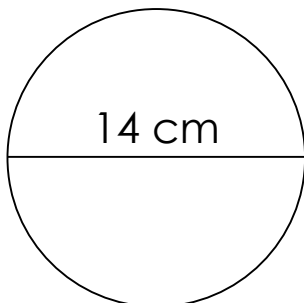
\_\_\_\_\_

6)



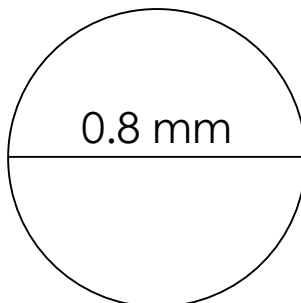
\_\_\_\_\_

7)



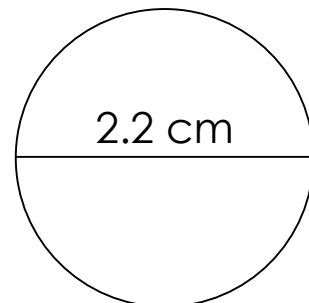
\_\_\_\_\_

8)



\_\_\_\_\_

9)



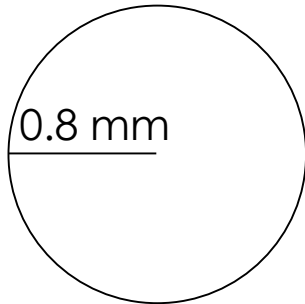
\_\_\_\_\_

## Area of a circle

### Grade 6 Geometry Worksheet

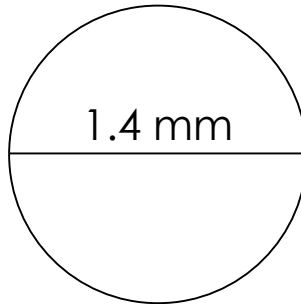
Calculate the area of each circle.

1)



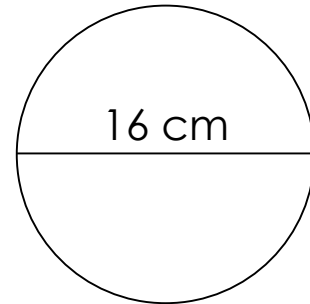
$$\underline{A=2.0096 \text{ mm}^2}$$

2)



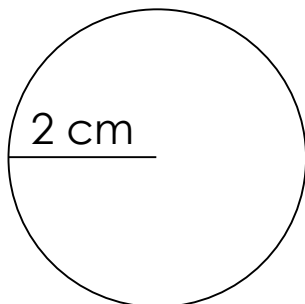
$$\underline{A=1.5386 \text{ mm}^2}$$

3)



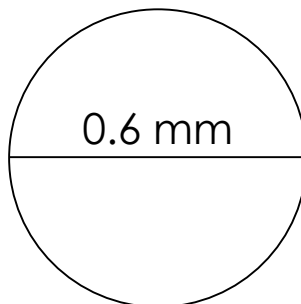
$$\underline{A=200.96 \text{ cm}^2}$$

4)



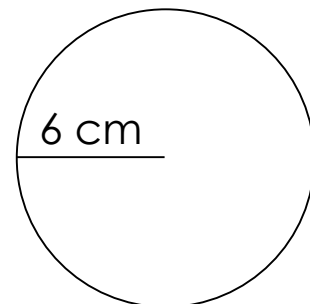
$$\underline{A=12.56 \text{ cm}^2}$$

5)



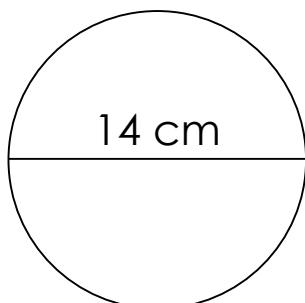
$$\underline{A=0.2826 \text{ mm}^2}$$

6)



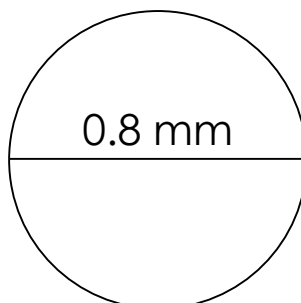
$$\underline{A=113.04 \text{ cm}^2}$$

7)



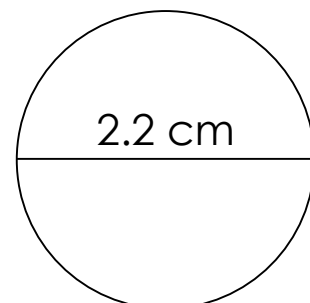
$$\underline{A=153.86 \text{ cm}^2}$$

8)



$$\underline{A=0.5024 \text{ mm}^2}$$

9)



$$\underline{A=3.7994 \text{ cm}^2}$$