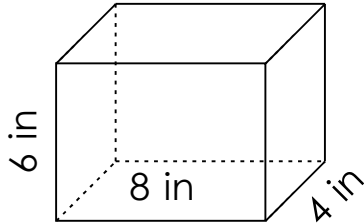


Rectangular prism - volume & surface area

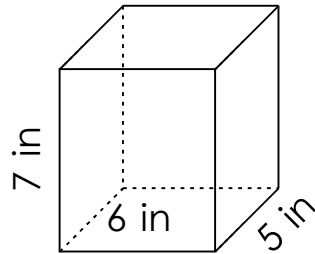
Grade 5 Geometry Worksheet

Find the volume and surface area.

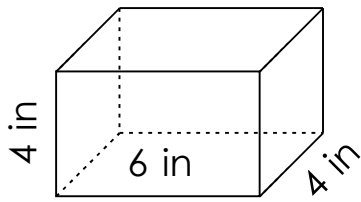
1)



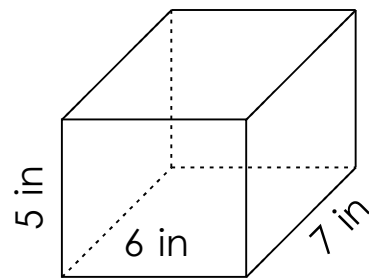
2)



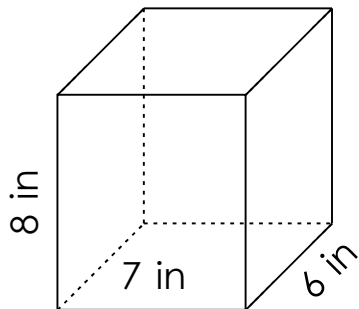
3)



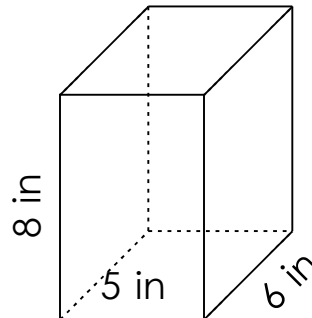
4)



5)



6)

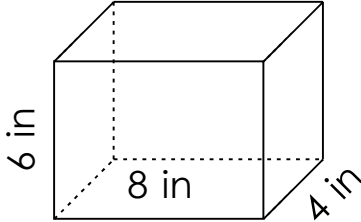


Rectangular prism - volume & surface area

Grade 5 Geometry Worksheet

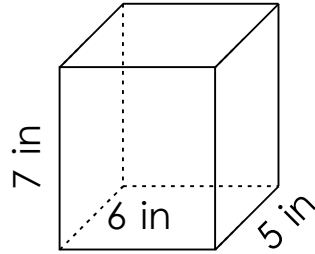
Find the volume and surface area.

1)



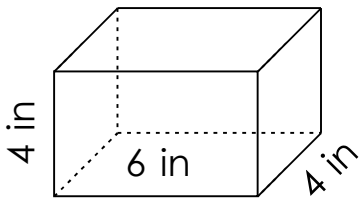
$$V = 192 \text{ in}^3 \quad SA = 208 \text{ in}^2$$

2)



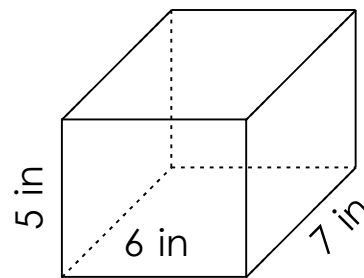
$$V = 210 \text{ in}^3 \quad SA = 214 \text{ in}^2$$

3)



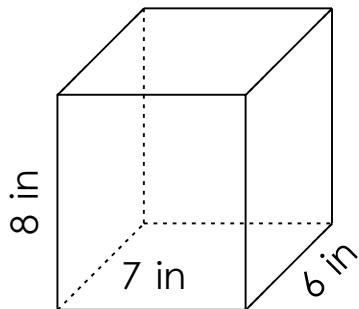
$$V = 96 \text{ in}^3 \quad SA = 128 \text{ in}^2$$

4)



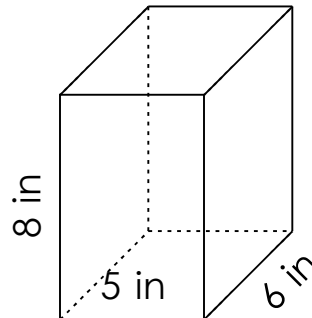
$$V = 210 \text{ in}^3 \quad SA = 214 \text{ in}^2$$

5)



$$V = 336 \text{ in}^3 \quad SA = 292 \text{ in}^2$$

6)



$$V = 240 \text{ in}^3 \quad SA = 236 \text{ in}^2$$
