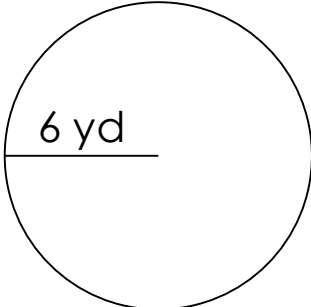
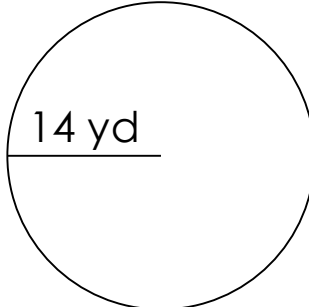


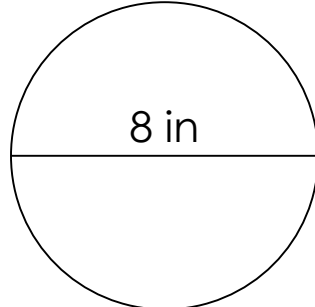
Area of a circle

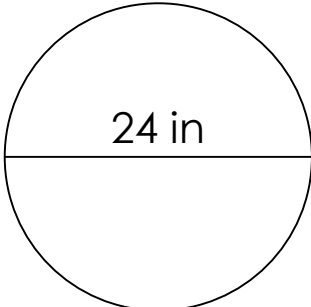
Grade 5 Geometry Worksheet

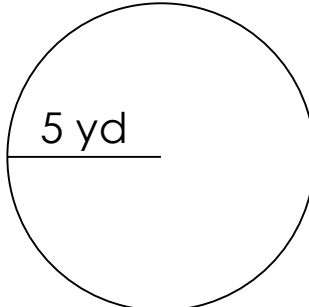
Calculate the circumference and area of each circle.

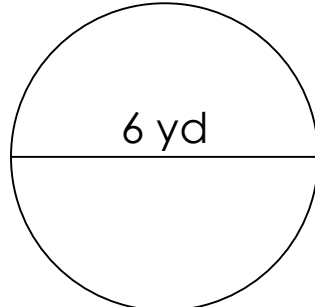
1) 

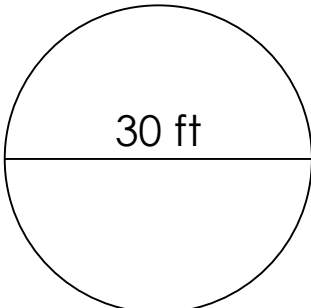
2) 

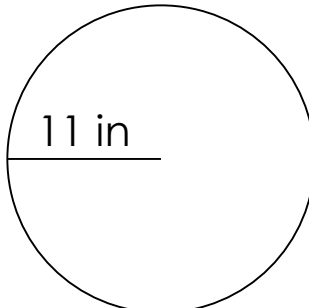
3) 

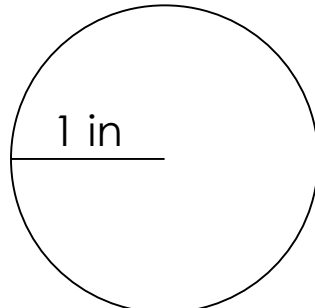
4) 

5) 

6) 

7) 

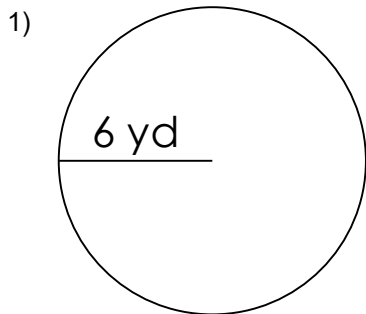
8) 

9) 

Area of a circle

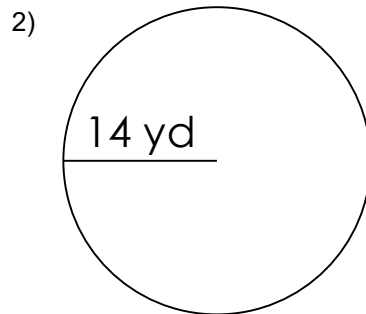
Grade 5 Geometry Worksheet

Calculate the circumference and area of each circle.



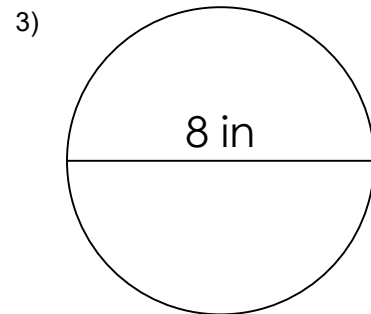
$$\underline{C=37.68 \text{ yd}}$$

$$\underline{A=113.04 \text{ yd}^2}$$



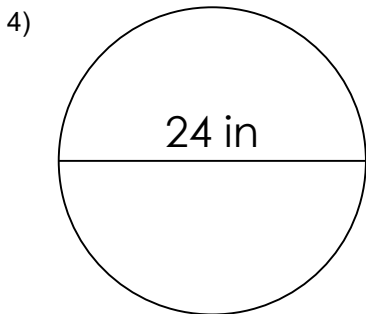
$$\underline{C=87.92 \text{ yd}}$$

$$\underline{A=615.44 \text{ yd}^2}$$



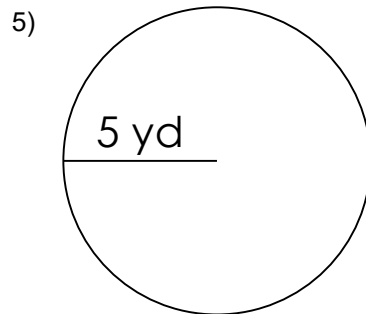
$$\underline{C=25.12 \text{ in}}$$

$$\underline{A=50.24 \text{ in}^2}$$



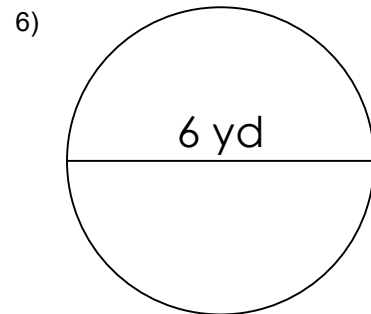
$$\underline{C=75.36 \text{ in}}$$

$$\underline{A=452.16 \text{ in}^2}$$



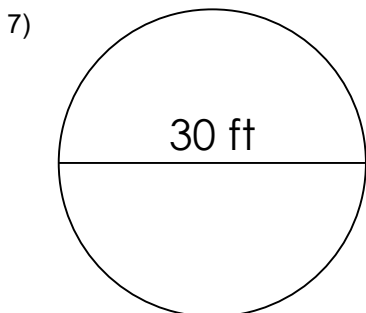
$$\underline{C=31.40 \text{ yd}}$$

$$\underline{A=78.50 \text{ yd}^2}$$



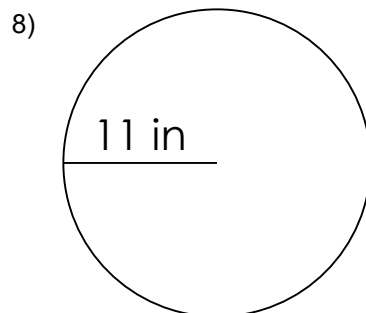
$$\underline{C=18.84 \text{ yd}}$$

$$\underline{A=28.26 \text{ yd}^2}$$



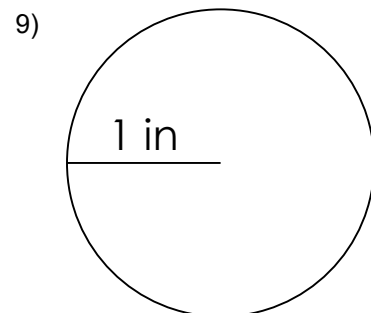
$$\underline{C=94.20 \text{ ft}}$$

$$\underline{A=706.50 \text{ ft}^2}$$



$$\underline{C=69.08 \text{ in}}$$

$$\underline{A=379.94 \text{ in}^2}$$



$$\underline{C=6.28 \text{ in}}$$

$$\underline{A=3.14 \text{ in}^2}$$